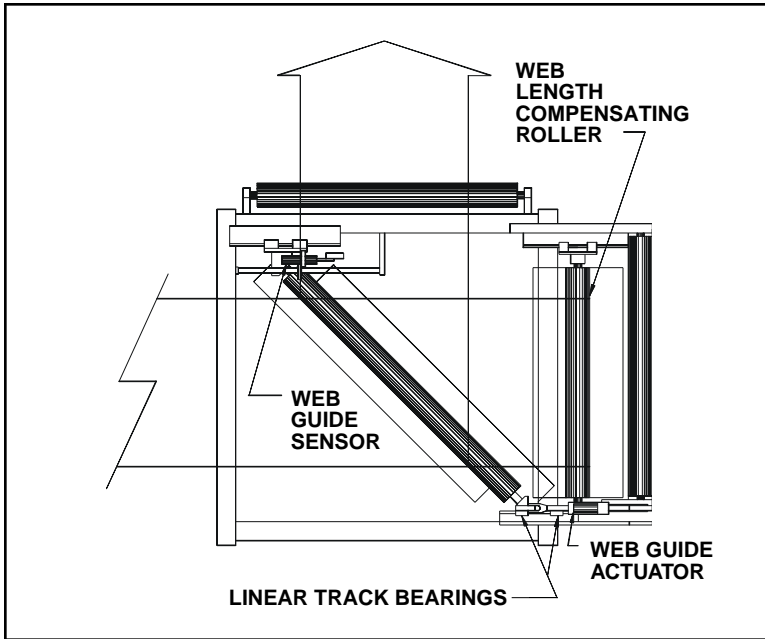


90° AIR FLOATATION TURNBAR SYSTEMS



**KOHLER
COATING**

KOHLER 90° AIR FLOTATION TURNBAR SYSTEMS



THE KOHLER 90° AIR FLOTATION TURNBAR/WEB GUIDE

Unique Answers for Difficult Problems

A standard turnbar unit inverts or turns a running web. Kohler 90° Turnbar Units can invert the web, provide edge guiding, or the addition of other offline processes. Kohler Turnbar Units may be designed to assemble onto, over, under or around existing equipment, providing efficient use of limited space.

Standard single-bar units are used to turn a web 90 degrees. Offline capabilities may be utilized without adding to machine length. Cross-over between lines is also possible, including lines that are not parallel or perpendicular to one another. Optional single side contact turnbar units invert a web while contacting only one side of the web. Unlike standard designs that contact both sides of the web.

Guide Bar Units are available in both single-side and double-side contact arrangements for applications involving edge guiding. For difficult coating or laminating operations requiring very fine edge control, guides from a variety of manufacturers may be mounted on a custom turnbar unit.

The turnbar units will not cause the web to mistrack. However, if the web has to be guided in the vicinity of where the turnbar is located, this unique compact design saves valuable floor space.



KOHLER COATING

10995 Wright Rd. • Uniontown, OH 44685 • Phone: 330/499-1407 • Fax: 330/499-6617
Coater Services Inc. d.b.a.